



12" PAC 850 .032" ALUM

Negative Design Uplift Loads

Span (in)	E330 Load (psf)	Design Load (psf)
1.00	166.40	110.93
1.50	119.60	79.73
2.00	72.80	48.53
2.50	63.70	42.47
3.00	54.60	36.40
3.50	45.50	30.33
4.00	36.40	24.27

Notes:

- 1) The above loads were derived from uplift tests done in accordance with ASTM E330
- 2) All values are interpolated from tests performed at spans of 1'-0" and 4'-0".
- 3) Design Load contains a **1.50 factor of safety** per DADE COUNTY PRODUCT CONTROL.
- 4) Test values were taken from the 29261-2 dated 01-21-10. (CERNY & IVEY ENGINEERS)
- 5) Purlin Assembly: 22ga hats
- 6) Panel Fastener: 1ea #10-16 x 1" #3SD

State of Florida
C.O.A.
23778



Petersen Aluminum Corporation
4175 Royal Drive, Building 300
Kennesaw, GA 30144
tel: 800 272 4482
fax: 770 420 2533

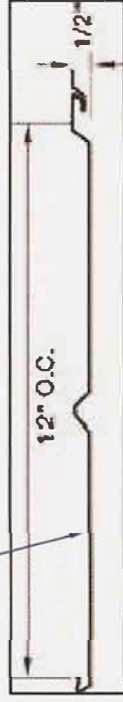
visit our web site @ www.pac-clad.com

MAY 05 2010

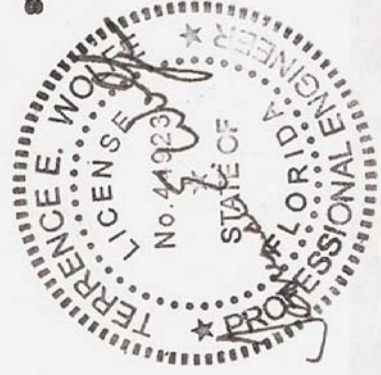


PAC-850 SOFFIT FULL VENT ISOMETRIC

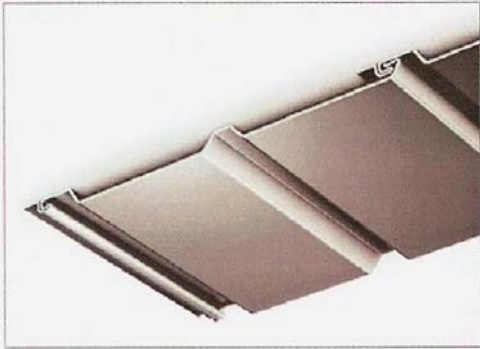
PETERSEN ALUMINUM .032 ALUMINUM
PAC-850 SOFFIT FULL VENT PANEL x 12" WIDE
SOFFIT W/ PAC-CLAD (TM) "MEDIUM BRONZE"
STOCK PAC-CLAD KYNAR 500(TM) FINISH



PAC-850 SOFFIT FULL VENT PROFILE



FEB 26 2010

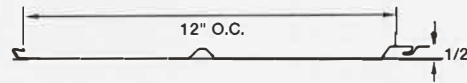
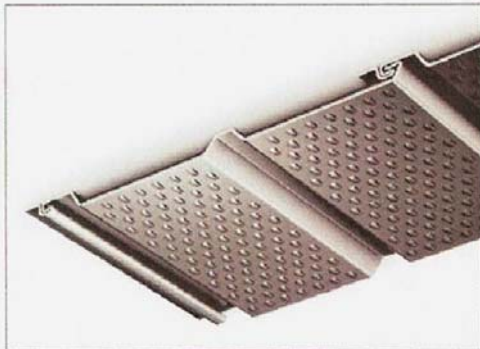


PAC 850 Soffit



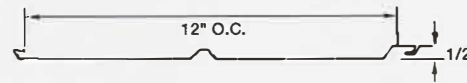
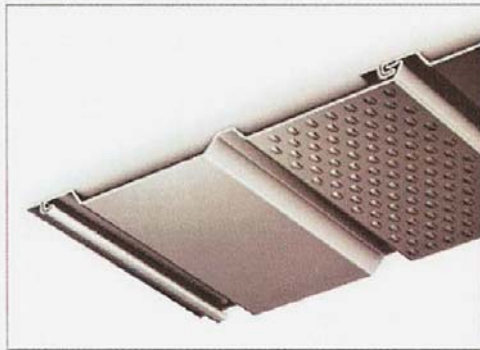
PAC 850 Soffit

12" O.C. .032 aluminum



PAC 850 Soffit (full vent)

12" O.C. .032 aluminum



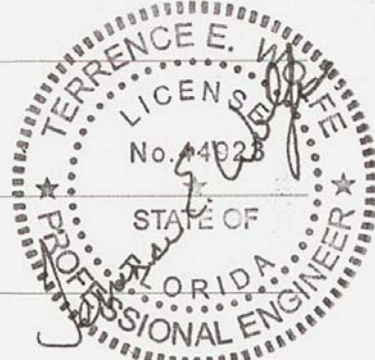
PAC 850 Soffit (half vent)

12" O.C. .032 aluminum

The PAC 850 Soffit panel utilizes an innovative hook and grab interlock. These panels can be perforated to allow for air flow and under eave ventilation.

State of Florida
 C.O.A.
 #26778

Features:	.032 aluminum only 12" o.c. Vee-groove panel Solid, Half-perforated, or Fully-perforated
Requirements:	Open framing or solid substrate Lengths: minimum of 20 inches, maximum of 20 feet
Finish:	PAC-CLAD® (Kynar 500® or Hylar 5000®)

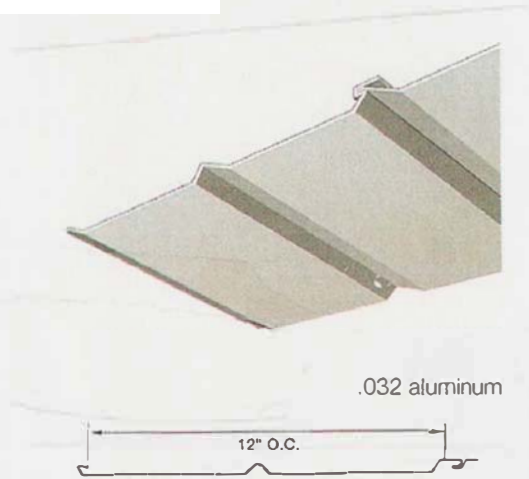


FEB 26 2010

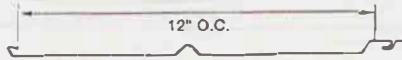
PETERSEN ALUMINUM CORPORATION www.pac-clad.com / email: sales@petersenmail.com

HQ: 1005 Tonne Road Elk Grove Village, IL 60007 P: 800-PAC-CLAD F: 800-722-7150	9060 Junction Drive Annapolis Junction, MD 20701 P: 800-344-1400 F: 301-953-7627	10551 PAC Road Tyler, TX 75707 P: 800-441-8661 F: 903-581-8592	4175 Royal Drive, Suite 300 Kennesaw, GA 30144 P: 800-272-4482 F: 770-420-2533	350 73rd Ave., NE Suite 1 Fridley, MN 55432 P: 877-571-2025 F: 866-901-2935
--	---	---	---	--

PAC 850 Soffit



.032 aluminum



PAC-850 Soffit Panels

Petersen Aluminum PAC-850 Soffit Panels utilize an innovative hook and grab interlock. These panels are roll-formed of .032 aluminum. Panels are 12" wide with a "vee" groove every 6" center-to-center and furnished in continuous lengths of up to 20 feet.

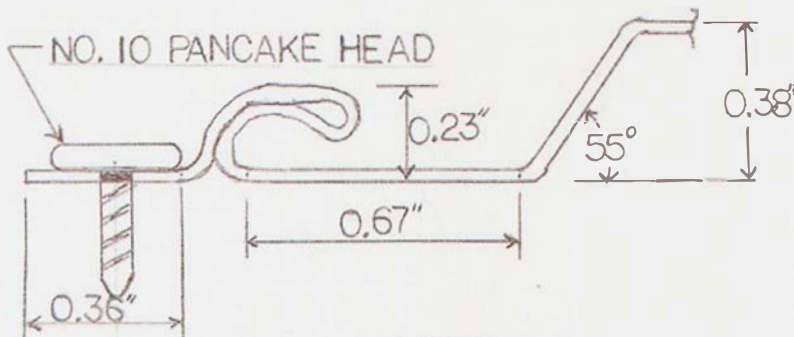
Soffit Venting

The PAC-750 and PAC-850 Soffit Panels can be perforated to allow for air flow and under eave ventilation. Both PAC-750 and PAC-850 can come fully vented, half vented, or solid.

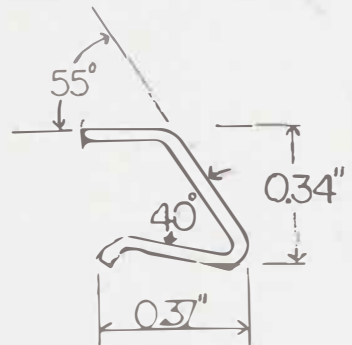
State of Florida
C.O.A.
26778



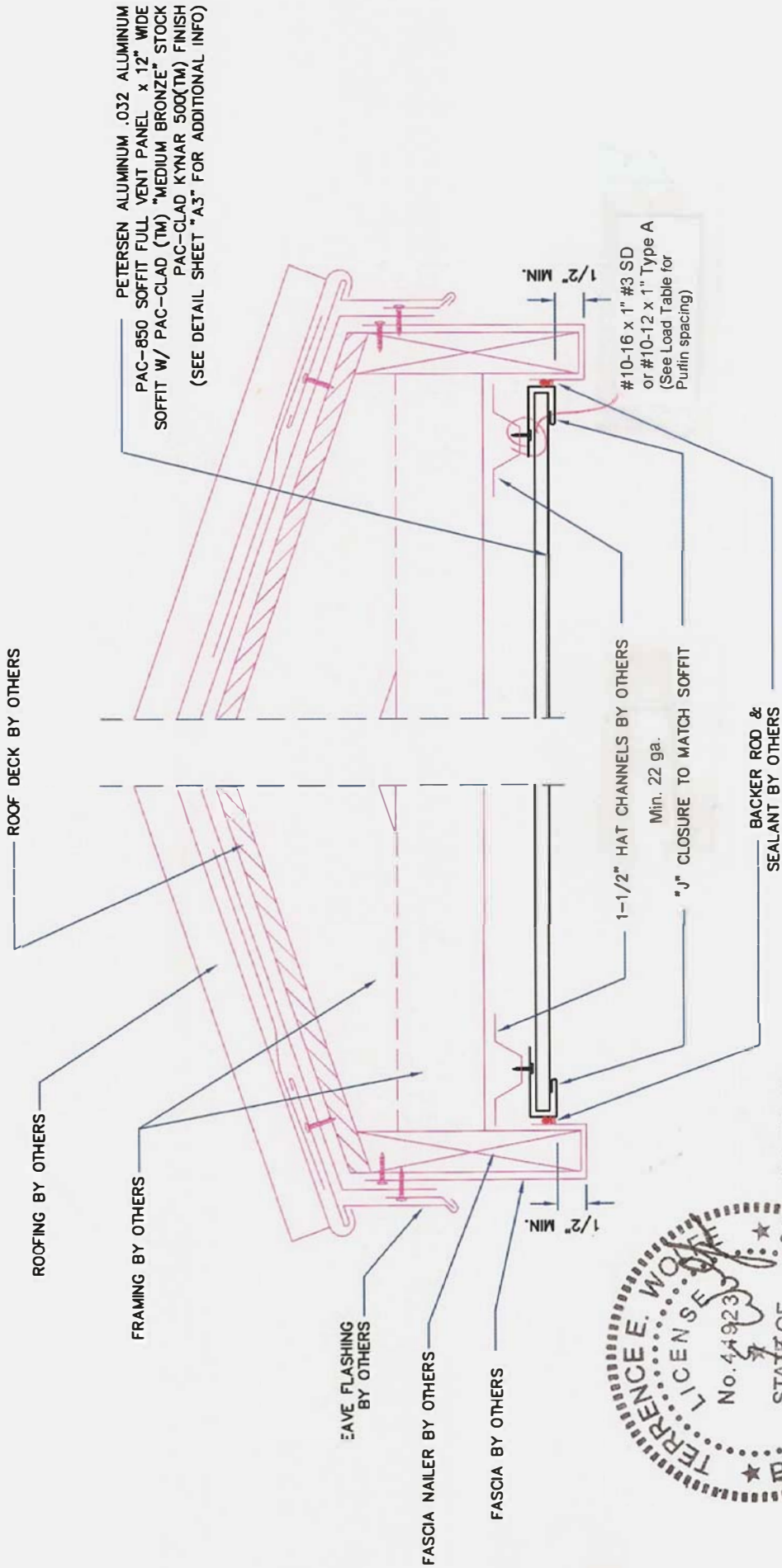
FEB 26 2010



ANCHOR DETAIL

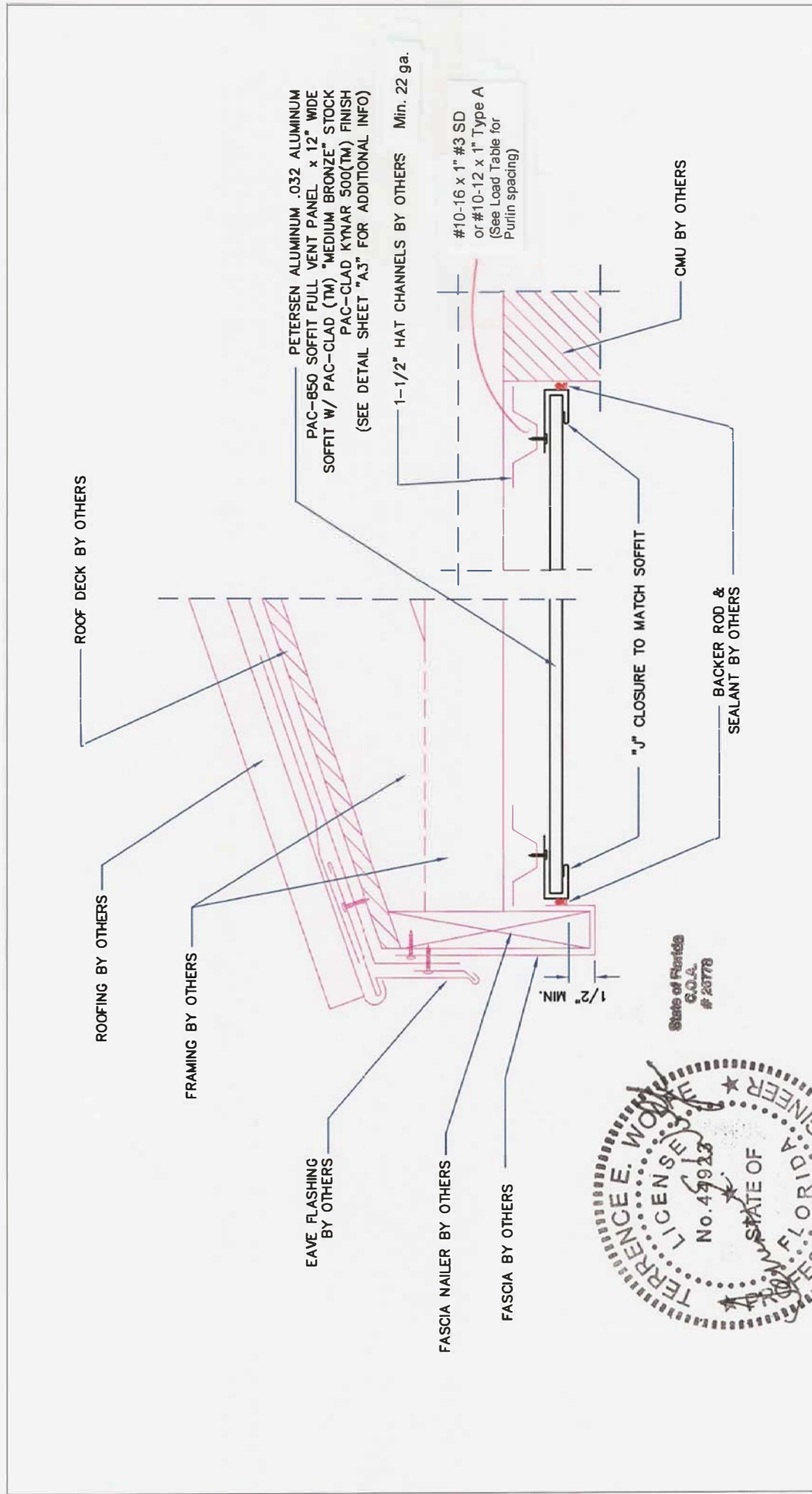


HOOK EDGE



State of Florida
P.E.
#265775

FEB 26 2010



State of Florida
C.O.A.
20778



FEB 26 2010